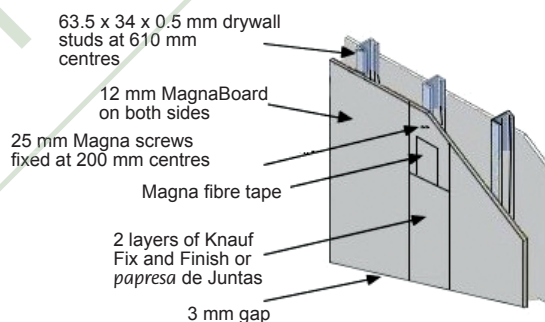
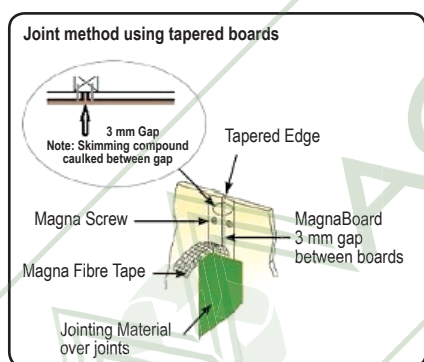


MagnaBoard®

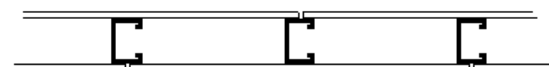
MagnaBoard® Wall Panel (1 hour Fire Rating SANS 10177P 2-2005)

Fire Test Report #: 2538 / 85631 / FPE 13

- Symmetrical construction using 1 x 12 mm MagnaBoard on either side of the frame with staggered joints
- 63.5 x 25 x 0.5 mm drywall tracks suitably fixed to floor at 600 mm centres (and top)
- 63.5 x 34 x 0.5 mm drywall studs fixed on tracks at 610 mm centres
- 25 mm Magna Screws fitted at 200 mm centres
- Magna Fibre tape used over the joints
- Knauf Fix and Finish or *papresa de Juntas* used to skim the joints (2 layers).
- Double studs used at all board joints



JOINTS MUST BE STAGGERED



1 Hour Fire Rating Diagram