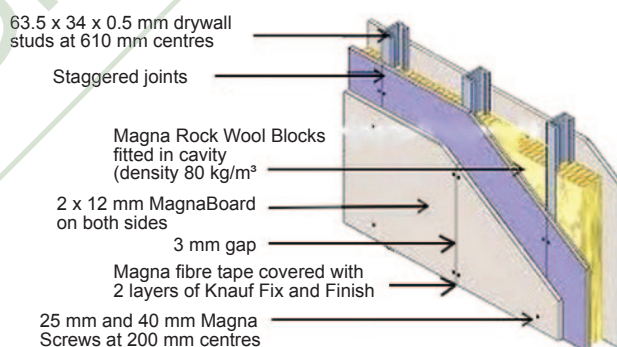
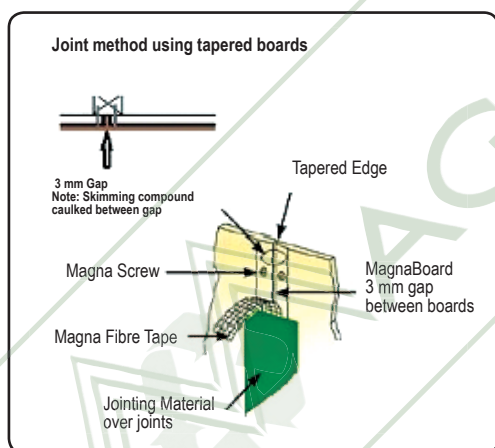


MagnaBoard®

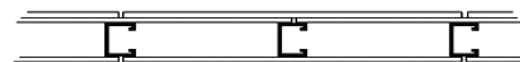
MagnaBoard® Wall Panel (2 hour 30 minute Fire Rating SANS 10177P 2-2005)

Fire Test Report #: 2538 / FPE / 85561 / 12 B1

- Symmetrical construction using 2 x 12 mm MagnaBoard on either side of the frame with staggered joints
- 63.5 x 25 x 0.5 mm drywall tracks suitably fixed to floor at 600 mm centres (and top)
- 63.5 x 34 x 0.5 mm drywall studs fixed on tracks at 610 mm centres
- Magna Rock Wool Blocks fitted in cavity (Density 80 kg/m³)
- 25 mm Magna Screws fitted at 200 mm centres to fix first layer of boards
- 40 mm Magna Screws fitted at 200 mm centres to fix second layer of boards
- Magna Fibre tape used over the joints of the second layer of boards (second layer of boards tapered)
- Knauf Fix and Finish used to skim the joints (2 layers).
- Double studs used at all board joints



ALL JOINTS MUST BE STAGGERED



2 Hour 30 minute Fire Rating Diagram